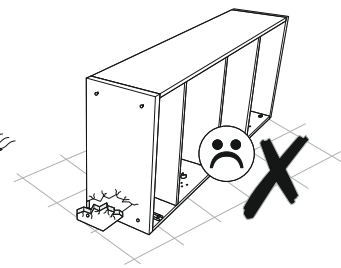
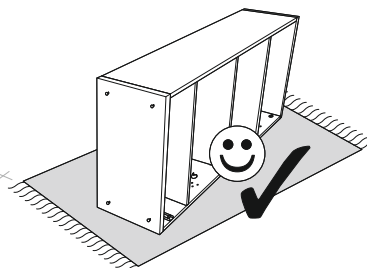
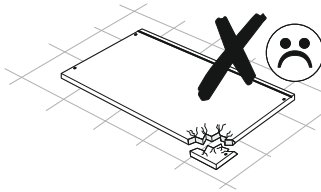
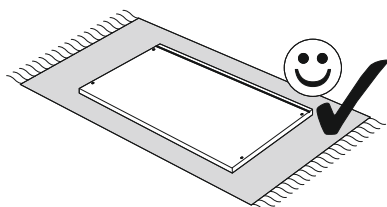
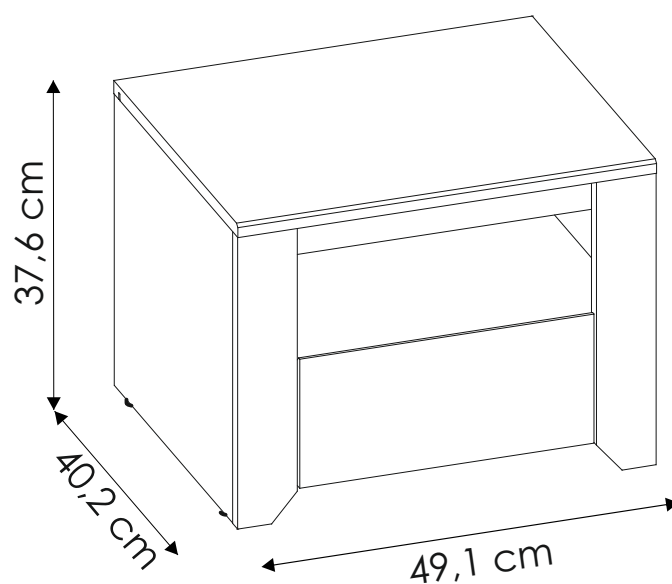
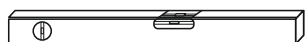
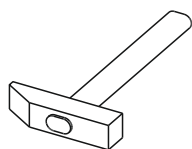
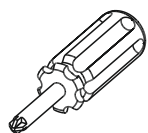
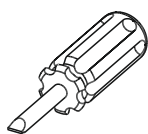
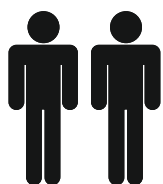
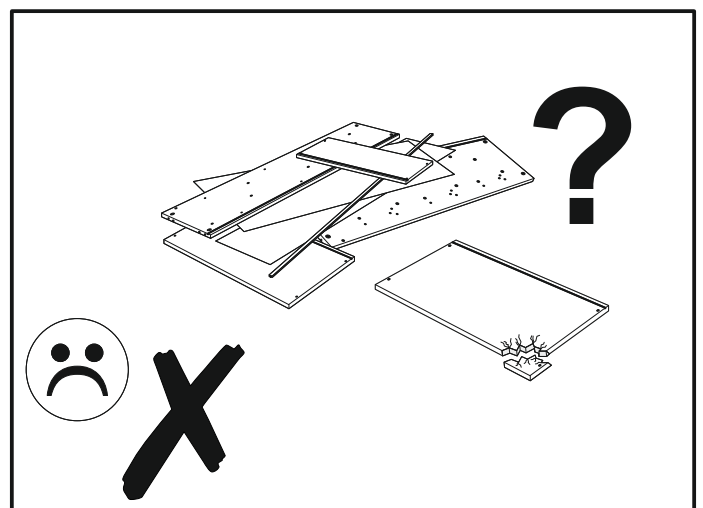
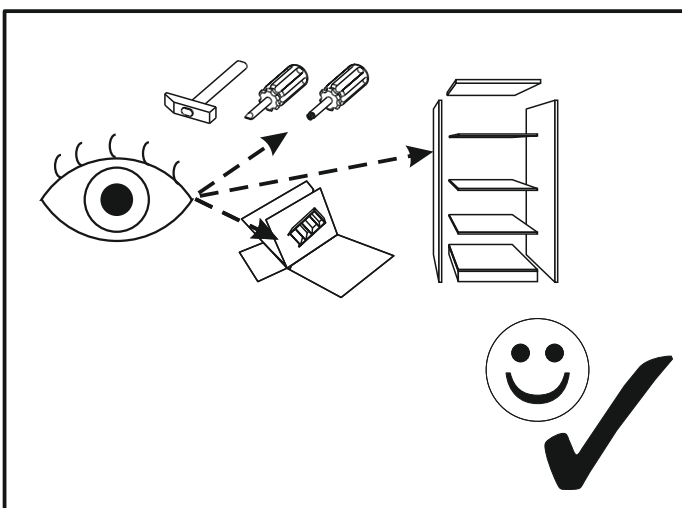
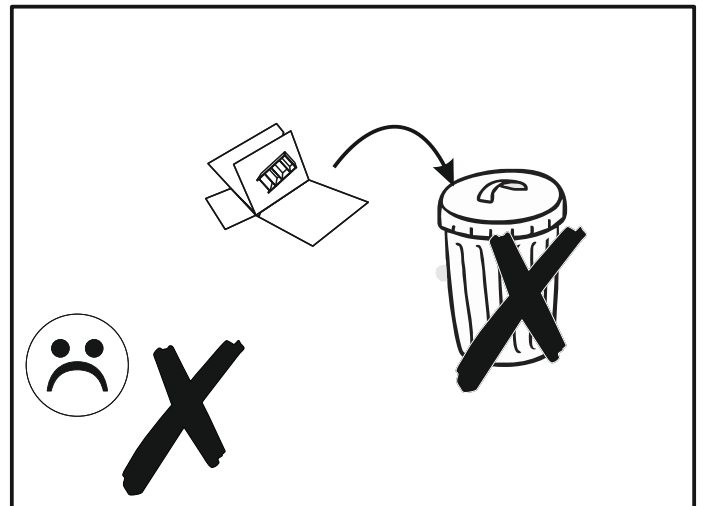
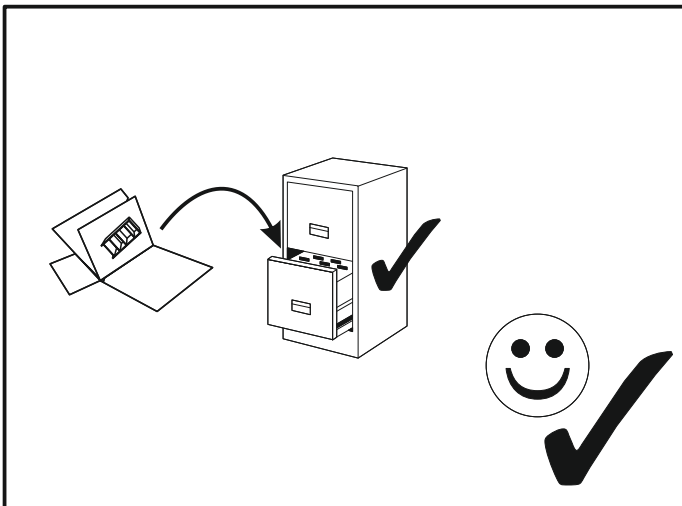
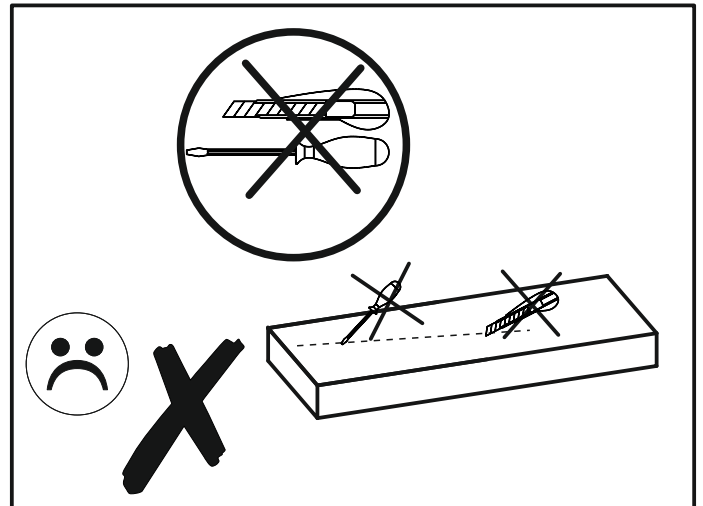
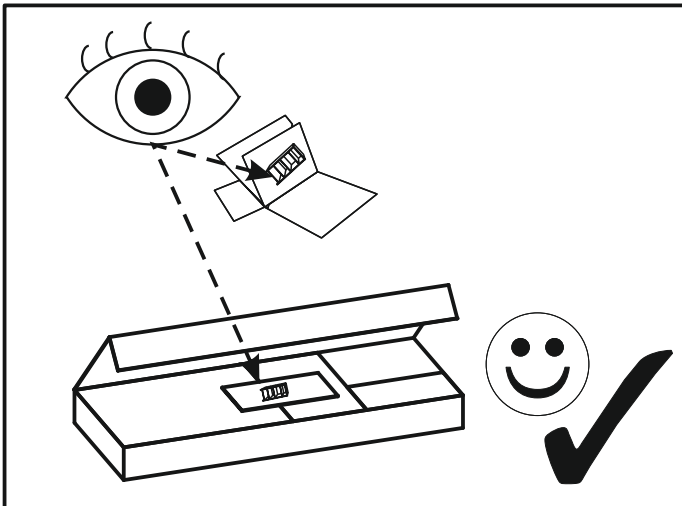
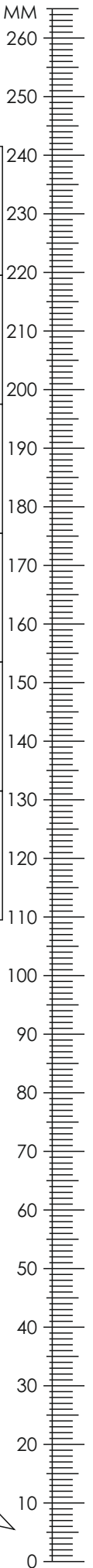




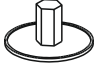

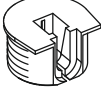

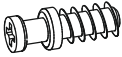




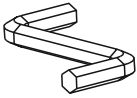

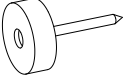


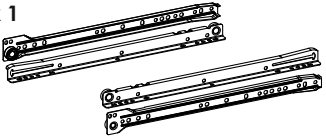
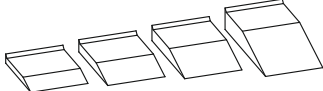
ANGEL TYP-95

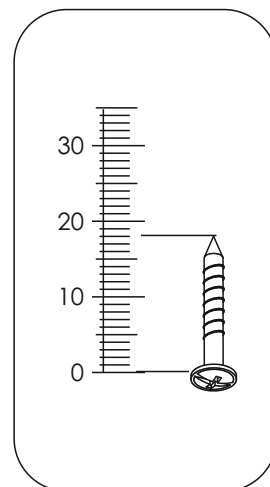




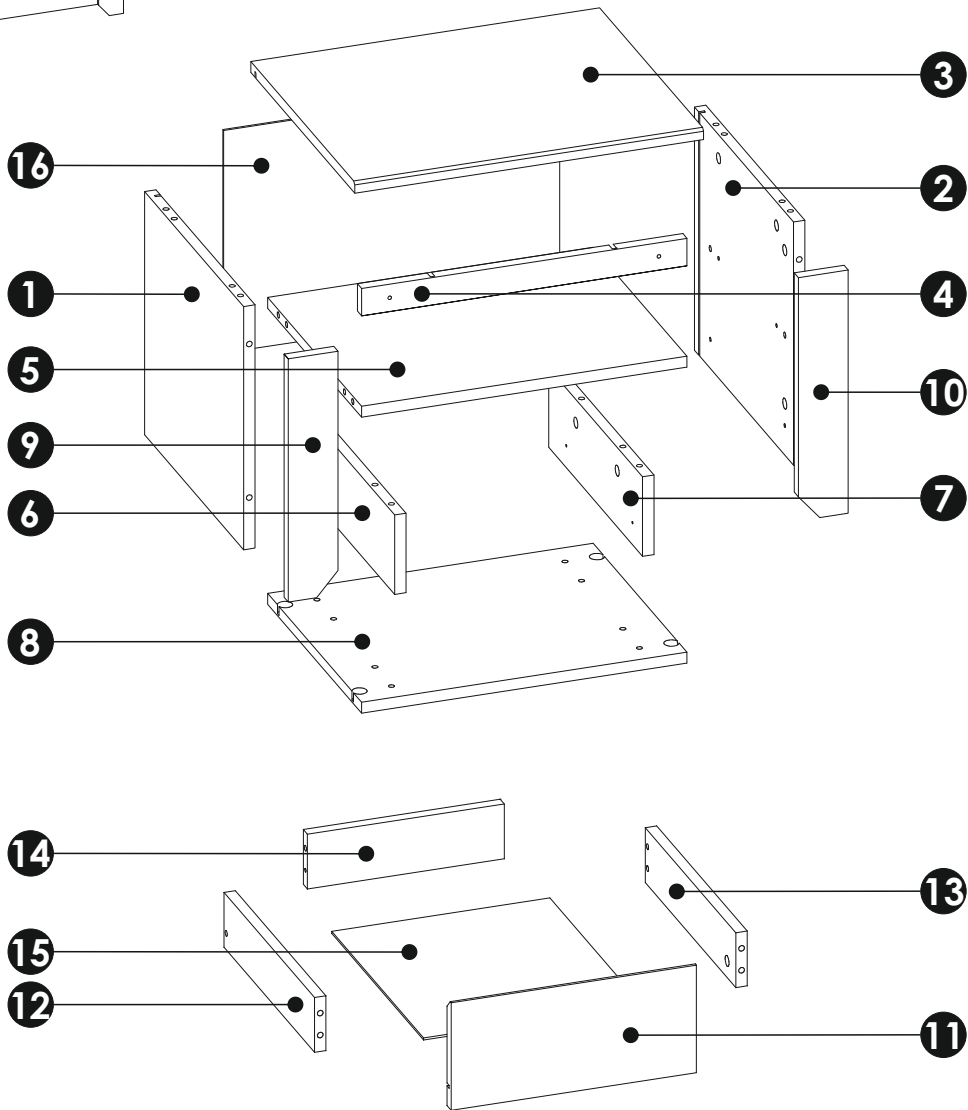
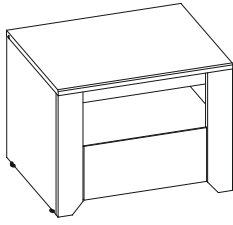
ANGEL TYP-95



<p>A1 x20</p> 	<p>C2 x4 5 x 13 mm</p> 	<p>E0 x18</p> 
<p>E1 x18 $\varnothing 15 \times 12$ mm</p> 	<p>E2 x6</p> 	<p>F1 x18</p> 
<p>F2 x6</p> 	<p>G0 x6</p> 	<p>G1 x6 $\varnothing 7 \times 50$ mm</p> 
<p>I5 x2 3,5 x 30mm</p> 	<p>J1 x6 3 x 20mm</p> 	<p>M x1</p> 
<p>N1 x10 3 x 16 mm</p> 	<p>O2 x4</p> 	<p>R4 x4</p> 
<p>R10 x2</p> 	<p>T3 x1</p> 	<p>Z x1</p> 

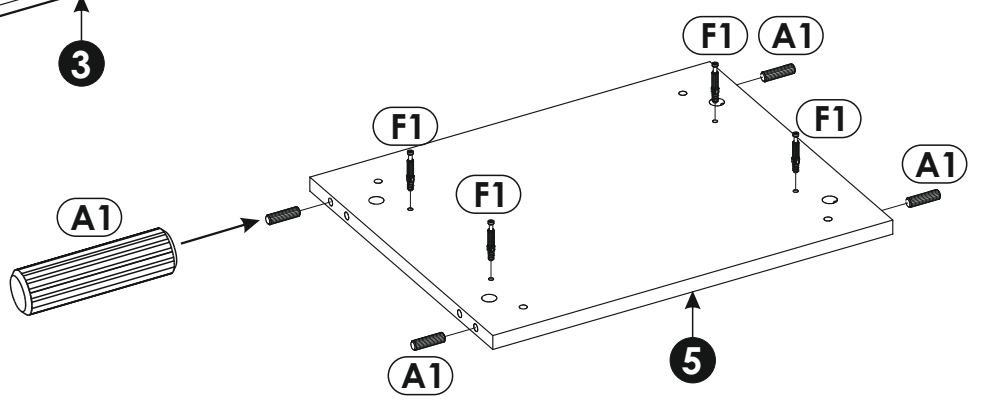
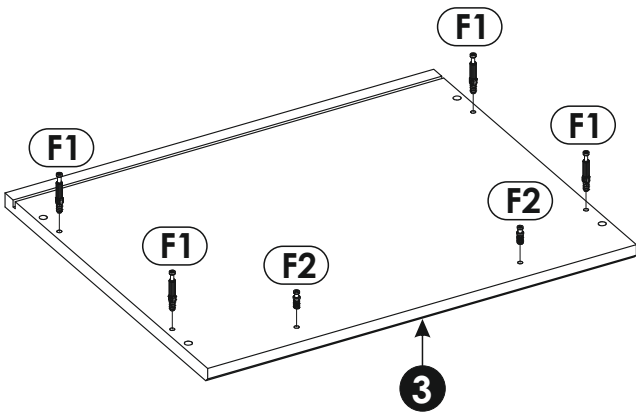
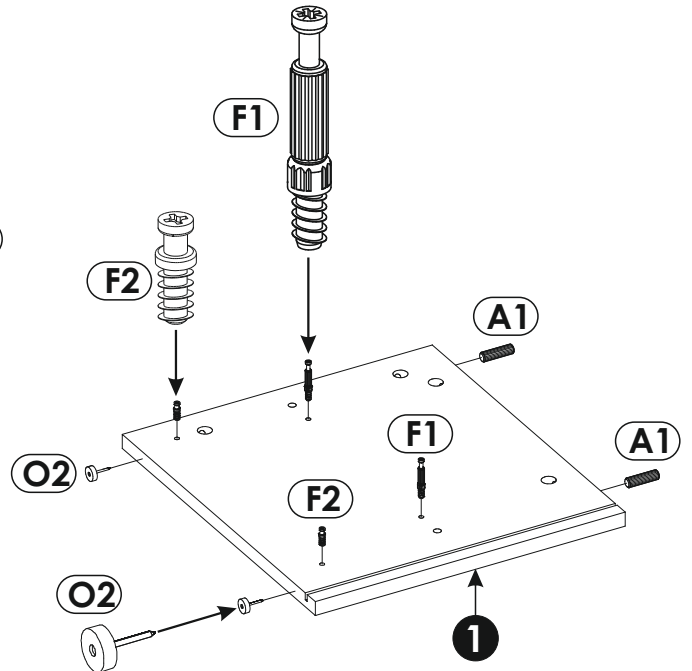
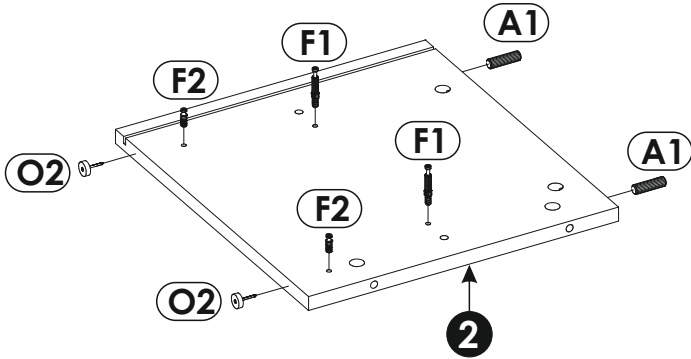
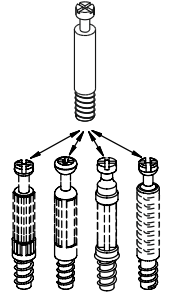
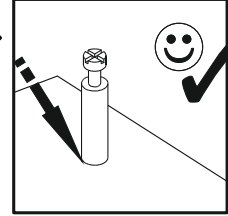
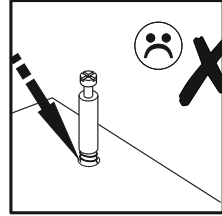
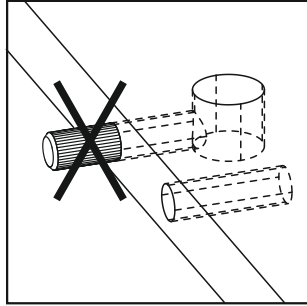
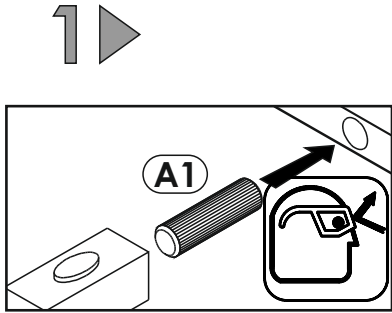
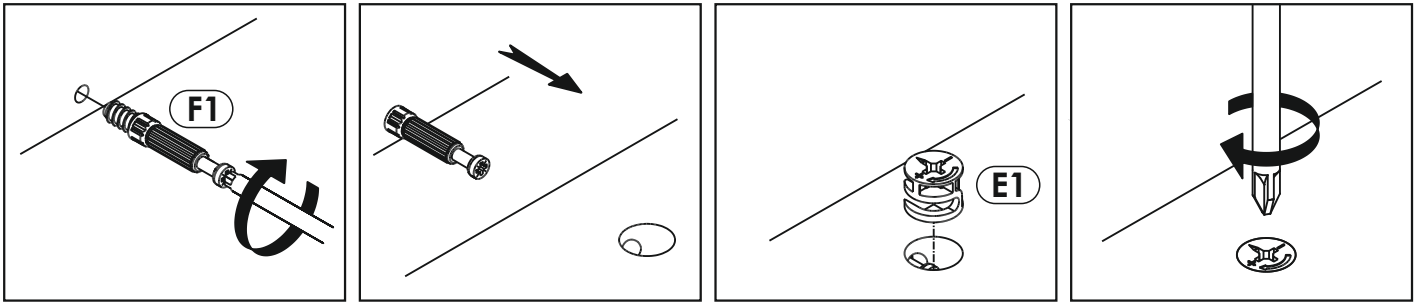


ANGEL TYP-95

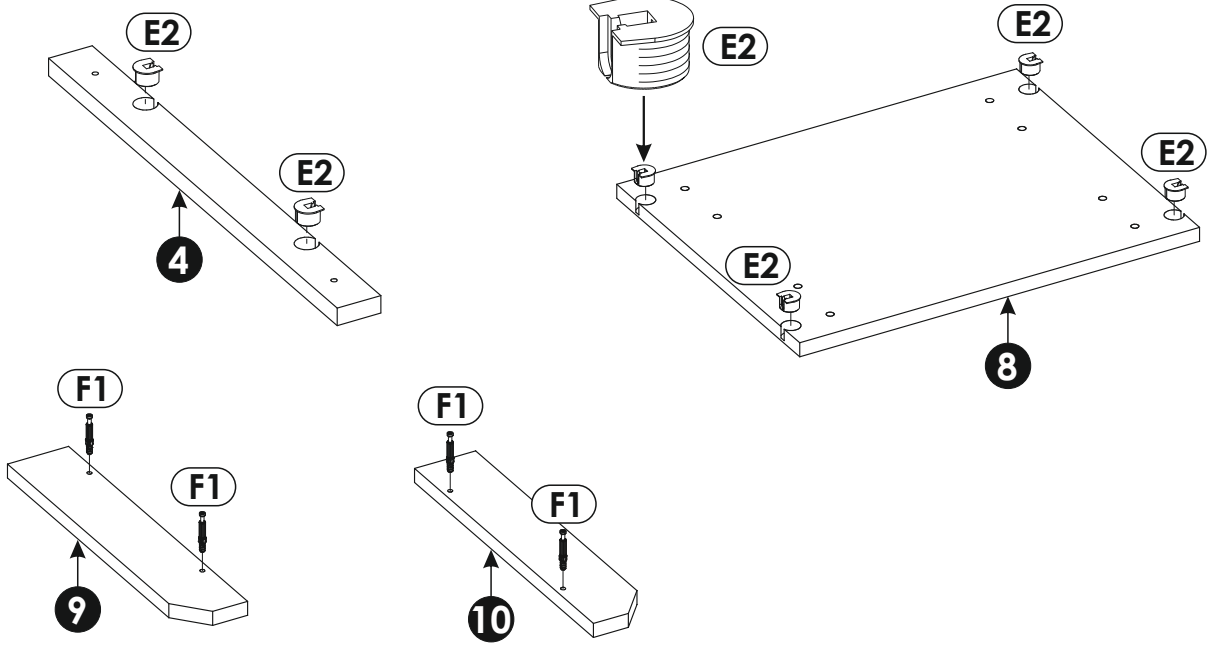


1	355	383	16	x1	1/1
2	355	383	16	x1	1/1
3	491	402	16	x1	1/1
4	458	40	16	x1	1/1
5	458	363	16	x1	1/1
6	116	363	16	x1	1/1
7	116	363	16	x1	1/1
8	458	363	16	x1	1/1

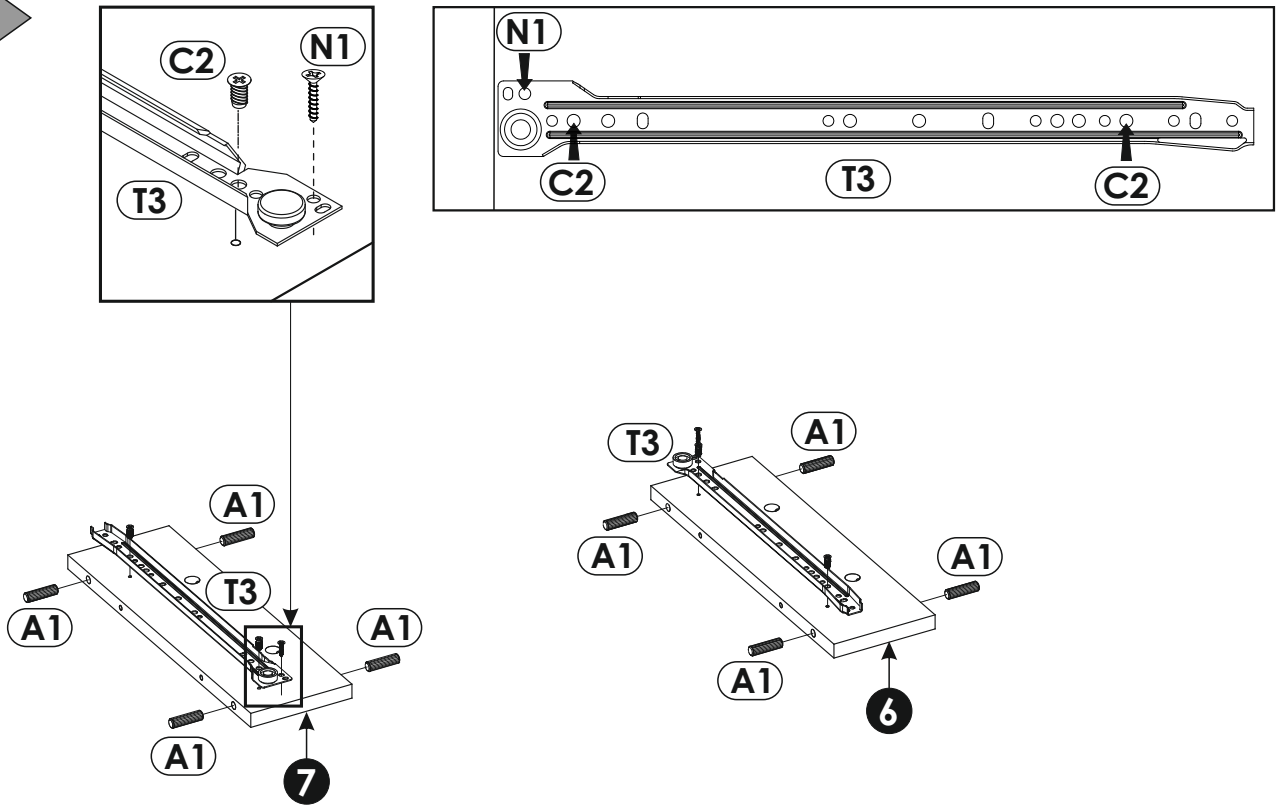
9	355	70	16	x1	1/1
10	355	70	16	x1	1/1
11	345	157	16	x1	1/1
12	350	80	16	x1	1/1
13	350	80	16	x1	1/1
14	277	80	16	x1	1/1
15	307	355	3	x1	1/1
16	473	325	3	x1	1/1



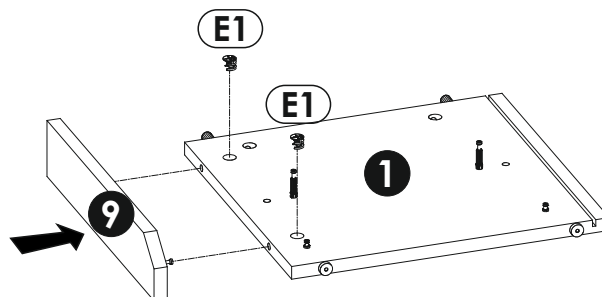
2 ▶



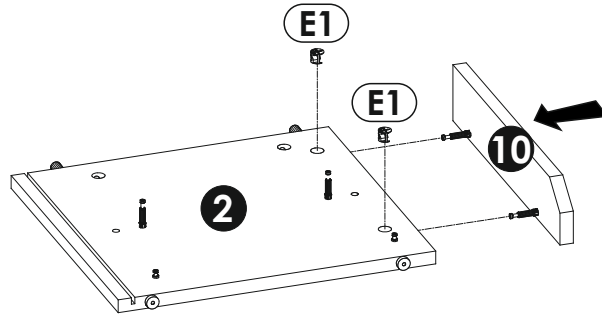
3 ▶



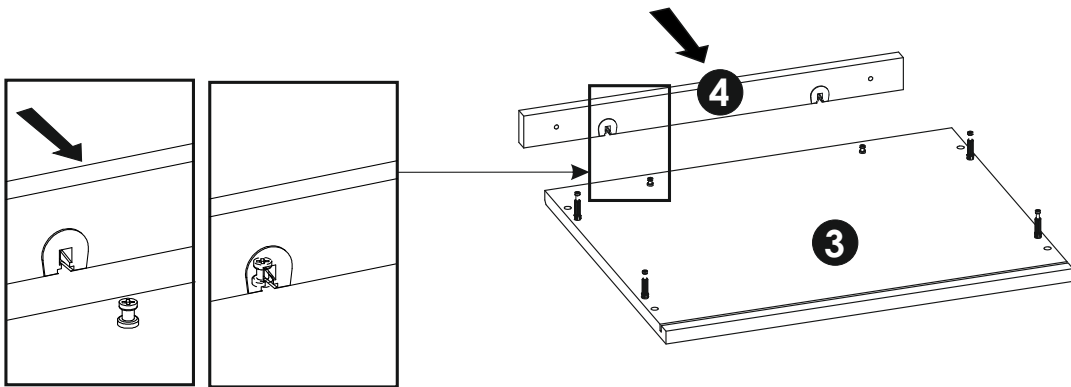
4 ▶



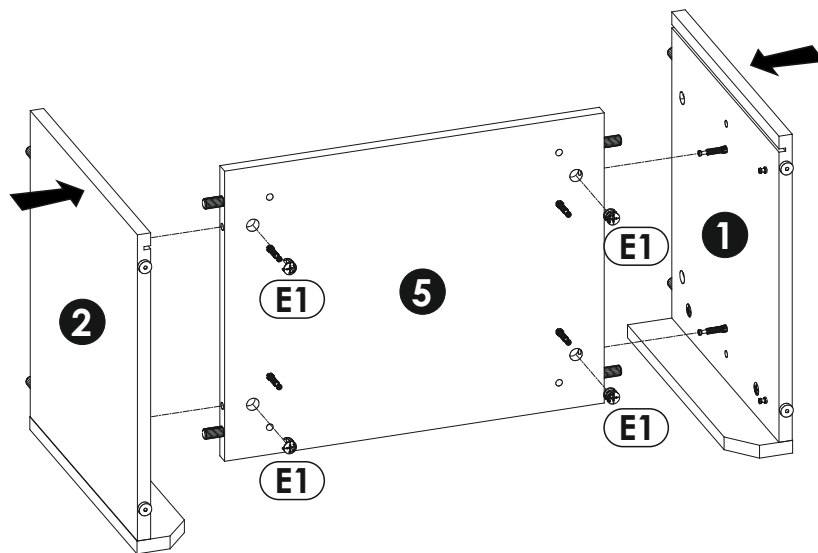
5 ▶



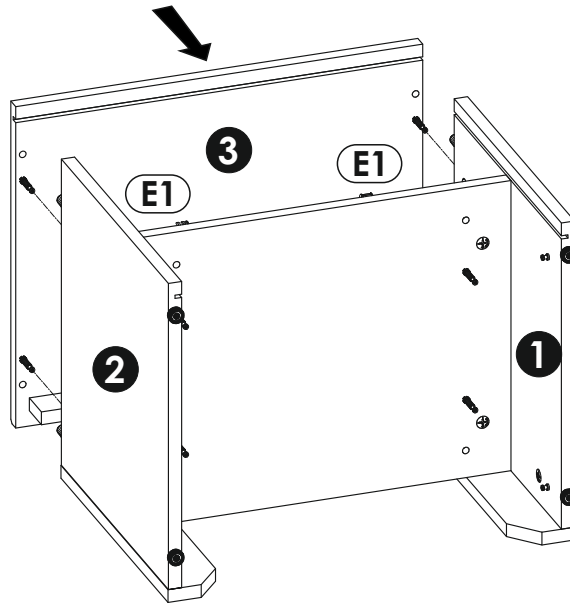
6 ▶



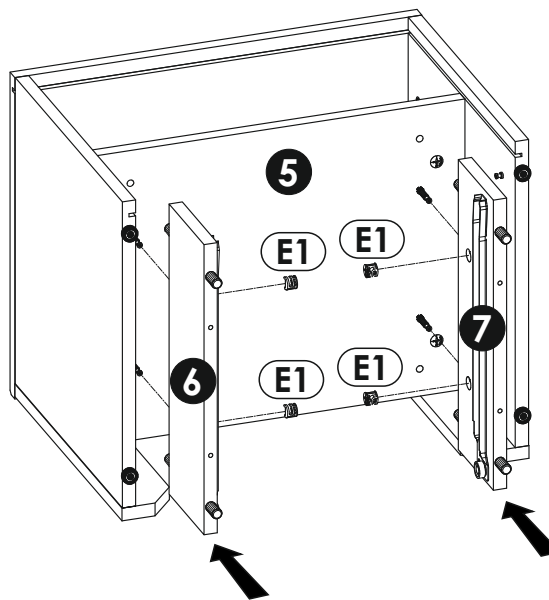
7 ▶



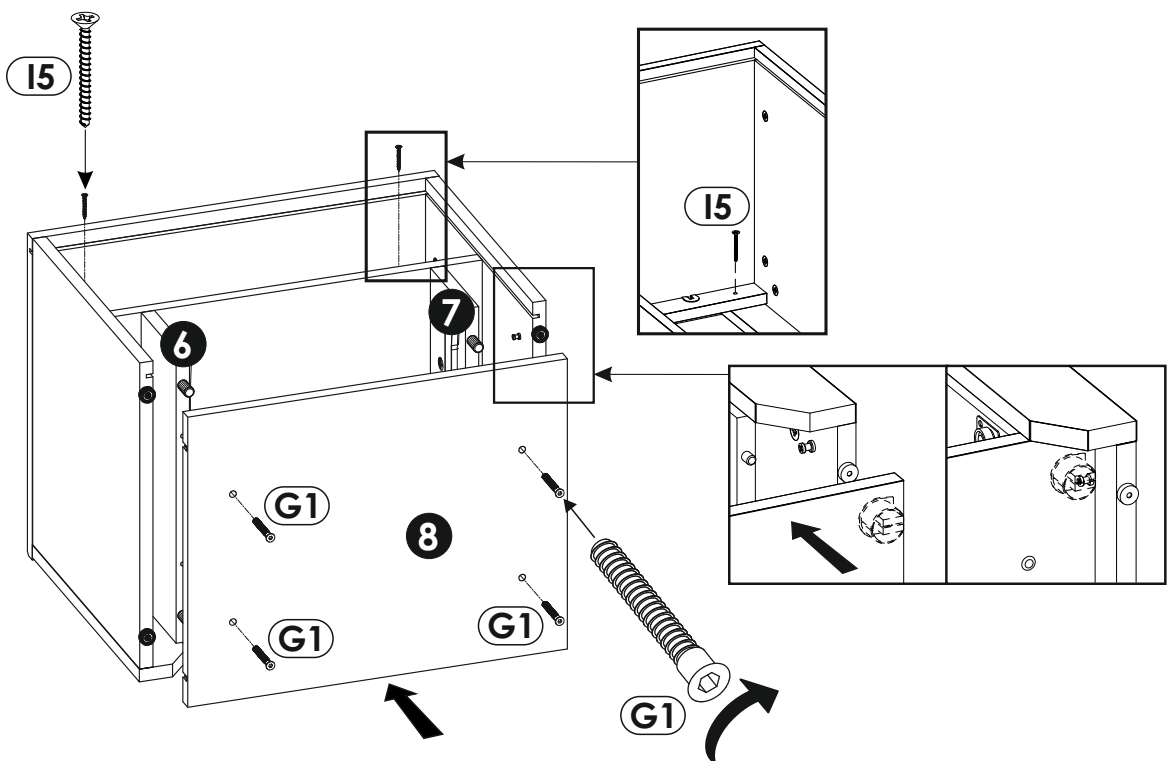
8 ▶



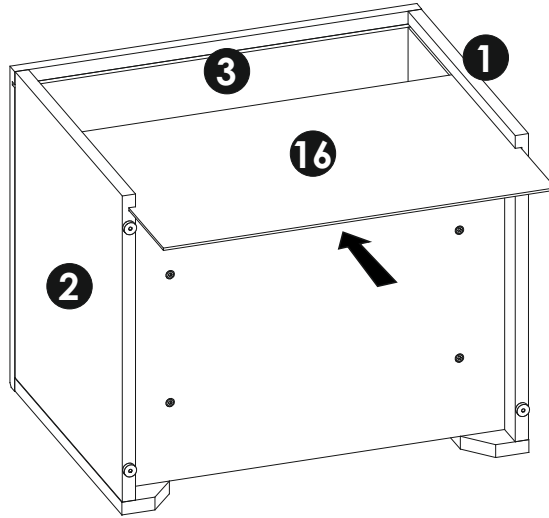
9 ▶



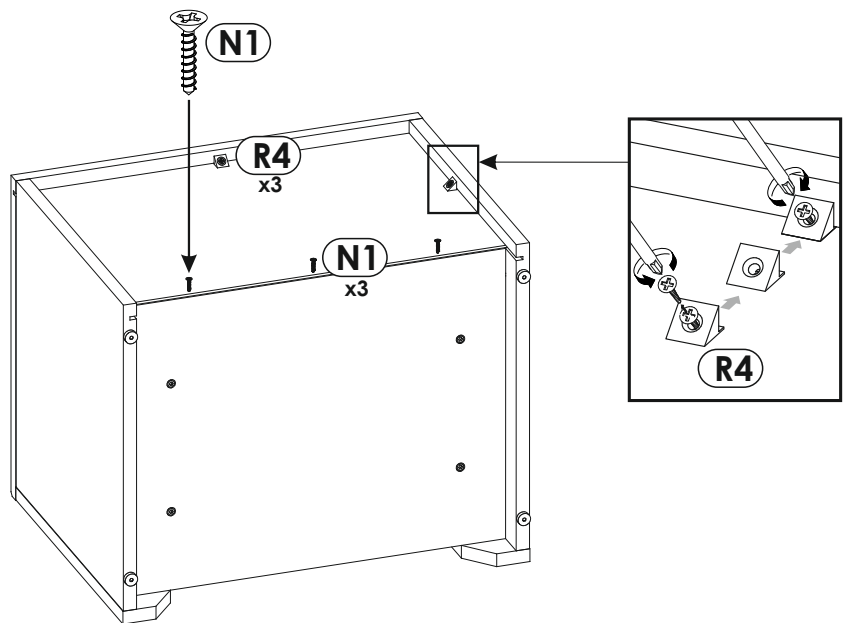
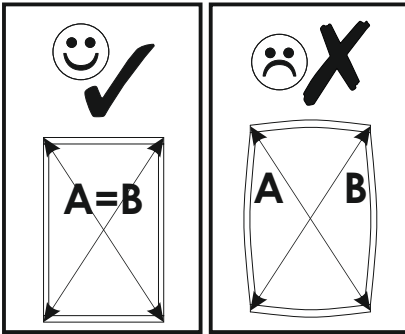
10 ▶



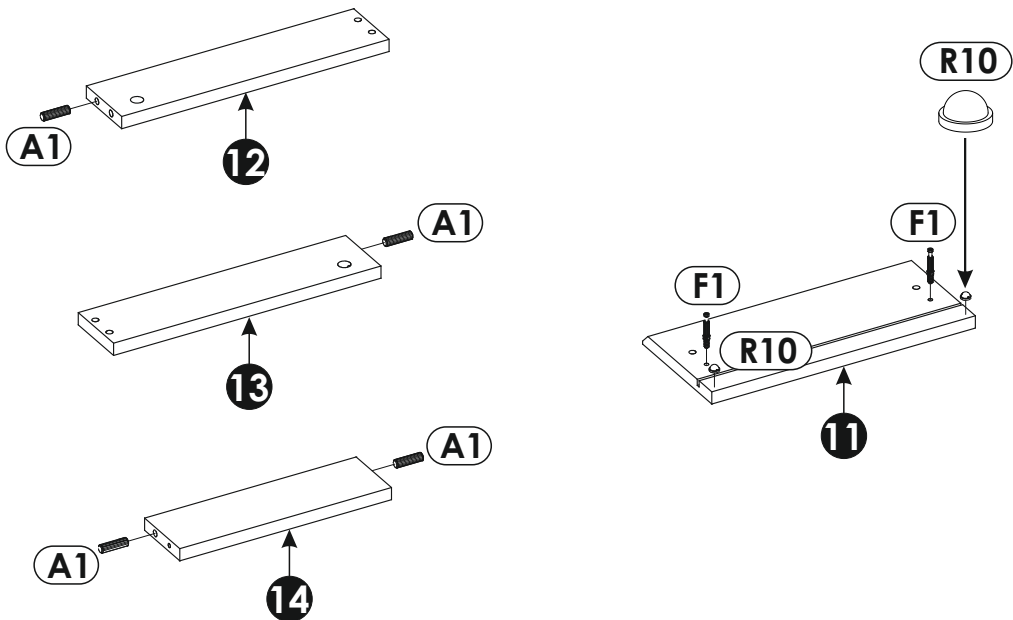
11▶



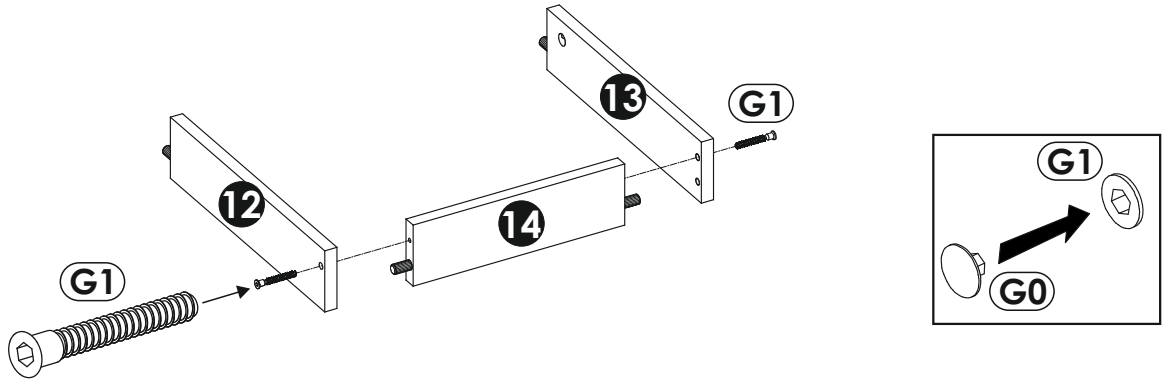
12▶



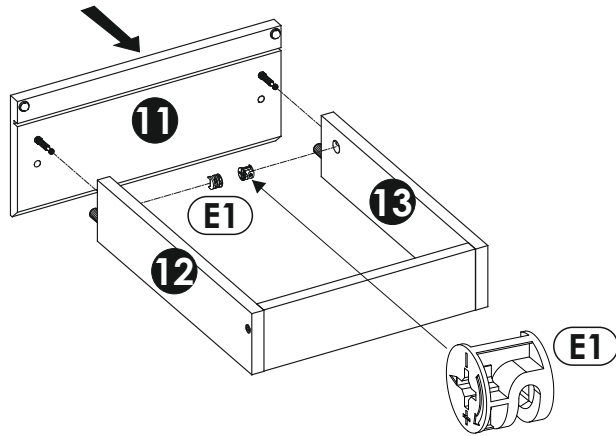
13▶



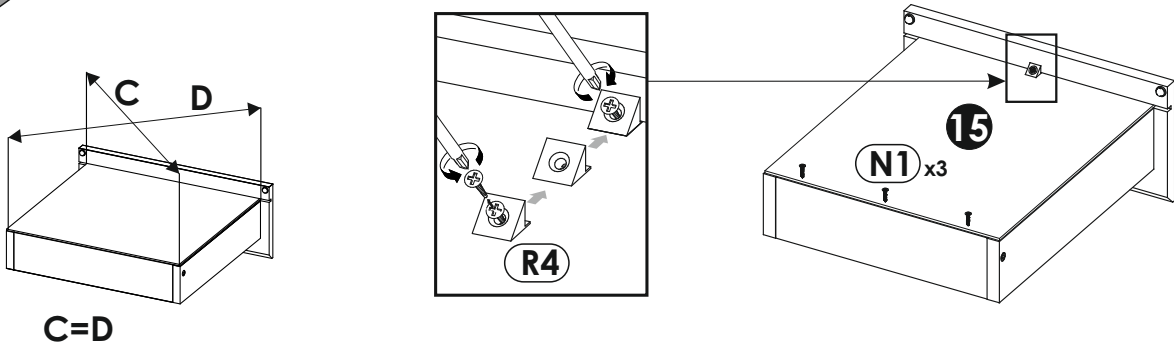
14 ▶



15 ▶



16 ▶



17 ▶

